



 **Termoakim**[®]
heating systems

GALAXI SMART

ELECTRIC COMBI BOILER



HEATING



HOT WATER



**MADE IN
TÜRKİYE**



HIGHLIGHTS FEATURES

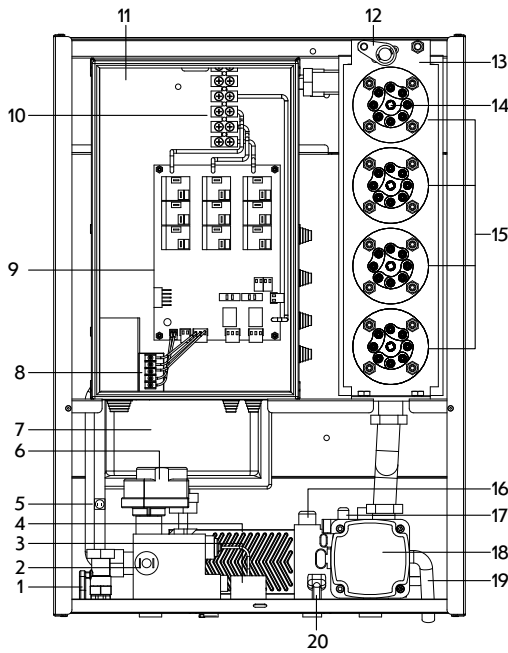
- 99% efficient operation.
- Multifunctional graphic display.
- Easy to use keypad.
- Troubleshooting and controls on the screen.
- Programming 5 different time clocks during the day.
- Ability to determine different operating temperatures for each program.
- Gradual capacity selection with microprocessor providing 25% economy.
- Circulation pump control modulation according to need, providing 7% economy.
- Rating modulation of DHW and radiator temperature separately, saving 12%.
- Automatic hot water usage detection modulation getting 15% savings.
- Hot water pre-preparation and intelligent sensing modulation in summer mode (DHW only), which saves 40%.
- Specially designed chrome resistances.
- Underfloor heating compatible.
- Room thermostat output.
- High efficiency with specially developed mixer exchanger.
- It has a limit thermostat against overheating.
- Pump blockage protection.
- Frost protection.
- Automatic air-vent.
- Manual deaeration valve for quick and easy removal of air from the device.
- Safety system against running without water.
- Protection against the high pressure with 3 bar safety valve.
- Wilo or Grundfos circulation pump.

CONTROL PANEL and KEY FUNCTIONS



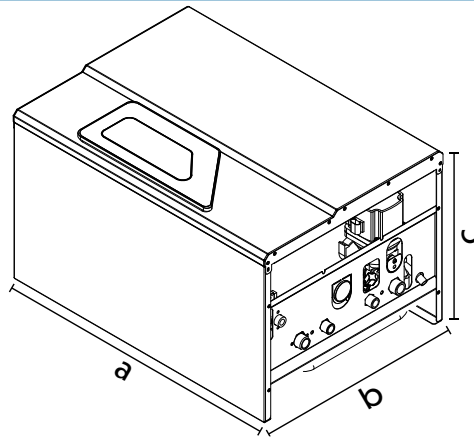
	Summer Mode Button.
	Winter Mode Button.
	Menu Button.
	Selection and Confirmation Button.
	ESC Button.
	Timer Feature Enable/Disable Button.
	Up and Increased Button.
	Down and Decreased Button.
	Device Standby / Activation Button.

PARTS OF THE DEVICE



- | | |
|------------------------------------|------------------------------|
| 1. Air Release Valve | 11. Power Distribution Board |
| 2. Low Pressure Sensor (Water Kit) | 12. Emniyet Termostat |
| 3. Manometer | 13. Boiler Body |
| 4. Plate Heat Exchanger | 14. Boiler Heat Probe (100k) |
| 5. DHW Temperature Probe (10k NTC) | 15. Heating Elements |
| 6. Three Way Valve Motor | 16. Flow Sensor |
| 7. Expansion Tank | 17. Automatic Air Release |
| 8. SMPS Transformer | 18. Circulation Pump |
| 9. Main Relay PCB | 19. 3 Bar Safety Valve |
| 10. Input Terminal | 20. Filling Valve |

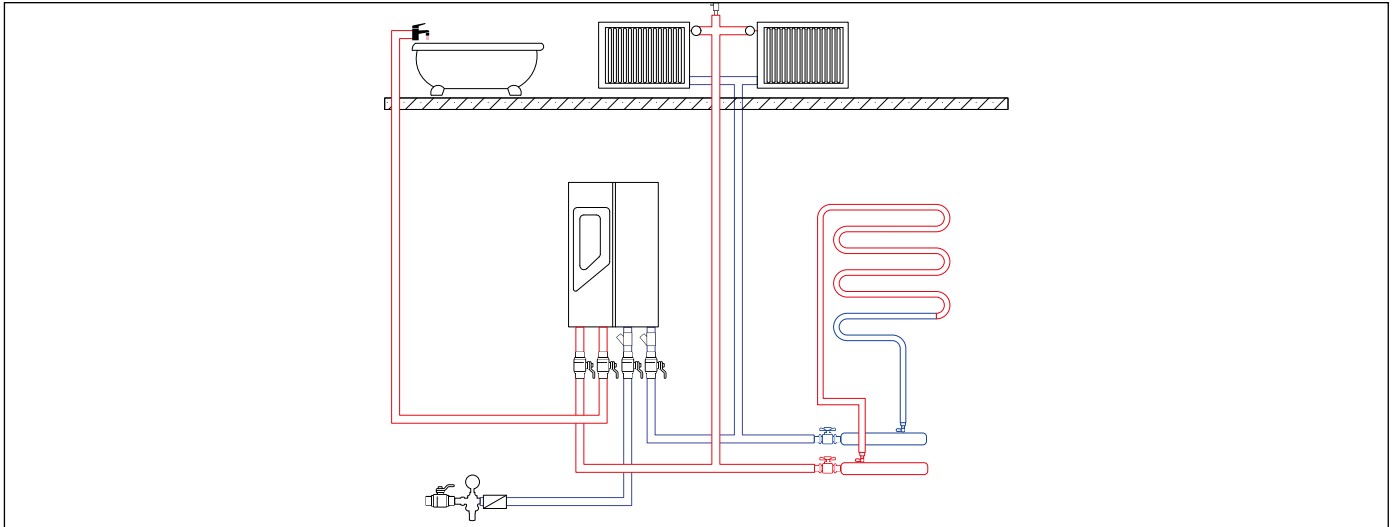
DIMENSIONS and TECHNICAL SPECIFICATIONS



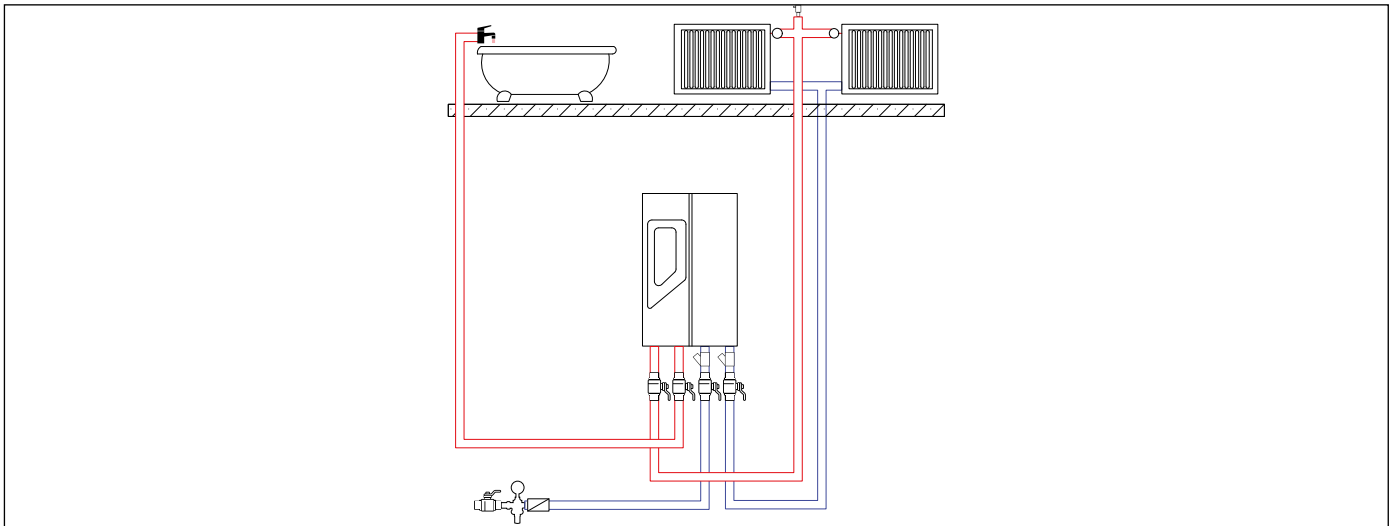
FEATURES	SMART S-10	SMART S-12	SMART S-18	SMART S-24	SMART S-30	SMART S-36	SMART S-40
Power (kW)	10	12	18	24	30	36	40
Electric Type	Monophase	Monophase	3-phase	3-phase	3-phase	3-phase	3-phase
Electrical Connection (V-50 Hz)	230	230	400	400			
Capacity (kcal/h)	8.600	10.320	15.480	20.640	25.800	30.960	34.400
Amper (A)	45	55	19	27	36	45	60
Recommended Fuse (A)	50	63	25	32	40	50	63
Recommended Leakage Relay (A)	63	63	40	40	40	63	63
Device Connection Cable (mm ²)	3x6	3x10	5x4	5x4	5x6	5x10	5x16
Operating Pressure (bar)	2						
Boiler Temperature Range (°C)	40/75						
DHW Temperature Range (°C)	40/60						
Hot Water Production (lt/min) (ΔT=25 °C)	6	7	11,5	13,5	17	17	18
Radiator Flow Diameter (inch)	3/4						
Domestic Water Inlet Outlet Diameter (inch)	1/2						
Device Size a x b x c (mm)	645x460x385						
Packaged Device Size a x b x c (mm)	710x520x455						
Weight (kg)	33				34		
Packaged Weight (kg)	35				36		

INSTALLATION DIAGRAMS

Parallel connection. Hot water, radiator, underfloor heating.



Standard connection. Hot water, radiator, heating.



Electric combi boiler and gas combi boiler parallel connection diagram.

