



 **Termoakim**<sup>®</sup>  
heating systems

**GALAXI**PRO

**ELECTRIC BOILER**



**MADE IN  
TÜRKİYE**









## HIGHLIGHTS FEATURES

- Offers an aesthetic appearance with its minimized dimensions and exterior design.
- 99% efficient operation.
- Safe operation with the digital display control panel where the fault information about the device is obtained.
- Gradual capacity selection with microprocessor providing 25% economy.
- Circulation pump control modulation according to need, providing 7% economy.
- Rating modulation of DHW and radiator temperature separately, saving 12%.
- Specially designed chrome resistance.
- Boiler (external hot water tank) installation and control.
- Boiler temperature probe connection and three-way valve output.
- Underfloor heating compatible.
- Room thermostat output.
- Limit thermostat against overheating.
- Pump blockage protection.
- Frost protection.
- Automatic air-vent.
- Manual deaeration valve for quick and easy removal of air from the device.
- Safety system against running without water.
- Protection against the high pressure with 3 bar safety valve.
- Wilo or Grundfos circulation pump.
- Automatic by-pass.
- Electronic water temperature control with NTC system (sensitive heat sensor).
- Electronic heat setting thermostat.

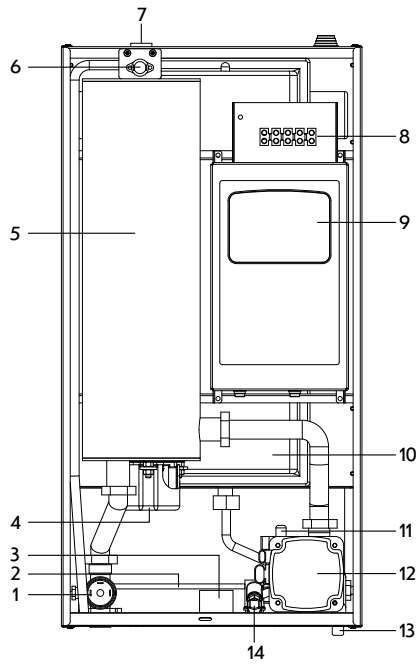
## CONTROL PANEL and KEY FUNCTIONS



	Up and Increased Button.
	Down and Decreased Button.
	Device Standby / Activation Button.
	Temperature Adjustment Button.
	Boiler Mode Button.
	Winter Mode Button.

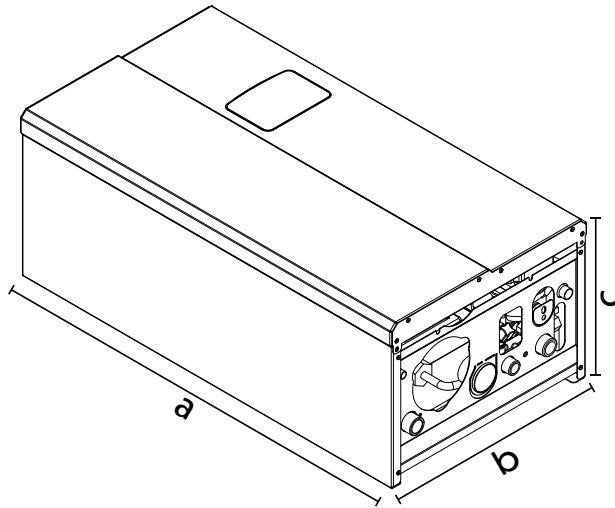


## PARTS OF THE DEVICE



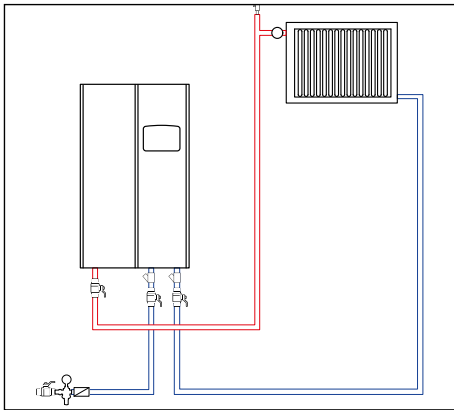
1. Low Pressure Sensor (Water Kit)
2. Automatic by-pass
3. Manometer
4. Heating Element
5. Boiler Body
6. Safety Thermostat
7. Air Release Valve
8. Input Terminal
9. Control Panel
10. Expansion Tank
11. Automatic Air Release
12. Circulation Pump
13. 3 Bar Safety Valve
14. Filling Valve

## DIMENSIONS and TECHNICAL SPECIFICATIONS

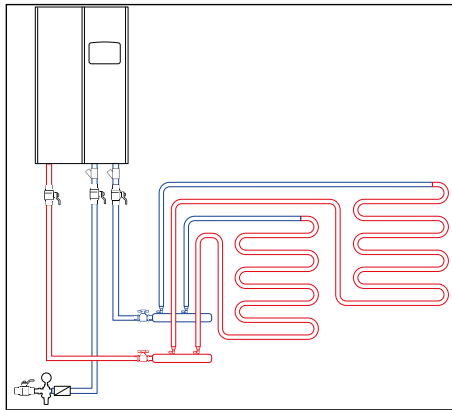


FEATURES	PRO-4.5		PRO-6		PRO-9		PRO-12		PRO-14	
Power (kW)	4.5		6		9		12		14	
Electric Type	Monophase	3-phase	Monophase	3-phase	Monophase	3-phase	Monophase	3-phase	Monophase	3-phase
Electrical Connection (V-50 Hz)	230	400	230	40	230	400	230	400	230	400
Capacity (kcal/h)	3.870		5.160		7.740		10.320		12.040	
Amper (A)	20	7	27	10	41	14	55	19	63	21
Recommended Fuse (A)	20	10	32	16	50	20	63	20	63	32
Recommended Leakage Relay (A)	25	16	40	25	63	25	63	25	63	40
Device Connection Cable (mm <sup>2</sup> )	3x4	5x2,5	3x4	5x2,5	3x6	5x2,5	3x10	5x4	3x10	5x4
Operating Pressure (bar)	2									
Boiler Temperature Range (°C)	40-75									
Radiator Flow Diameter (inch)	3/4									
Device Size a <b>x</b> b <b>x</b> c (mm)	675x355x260									
Packaged Device Size a <b>x</b> b <b>x</b> c (mm)	730x415x315									
Weight (kg)	23									
Packaged Weight (kg)	25									

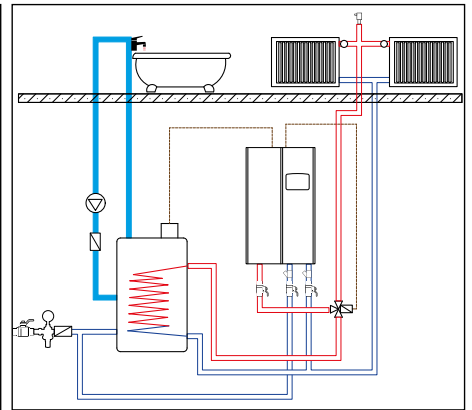
# INSTALLATION DIAGRAMS



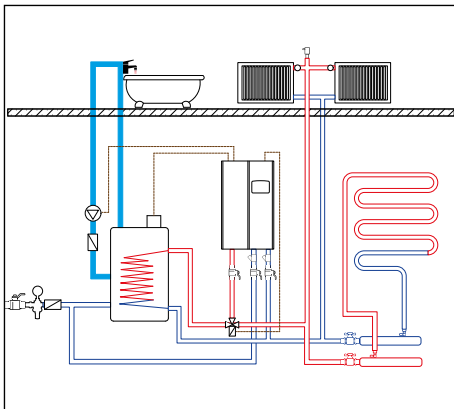
Electric boiler, radiator wiring diagram.



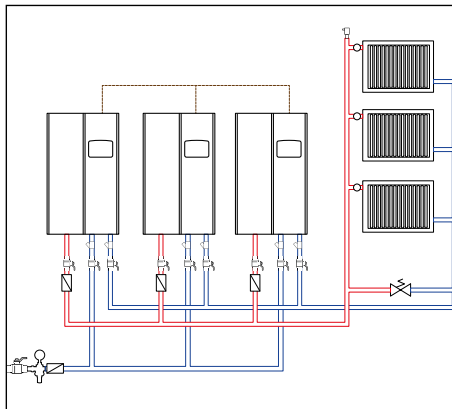
Electric combi underfloor heating wiring diagram.



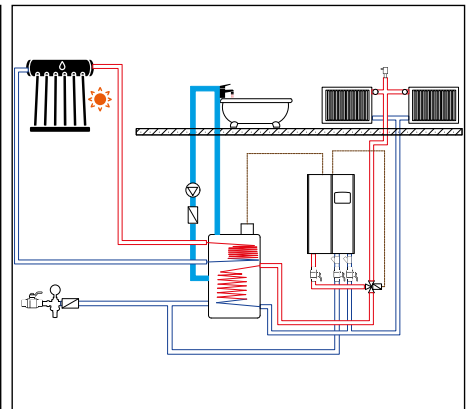
Electric boiler, boiler and radiator connection diagram.



Electric boiler, boiler, radiator, floor heating wiring diagram.

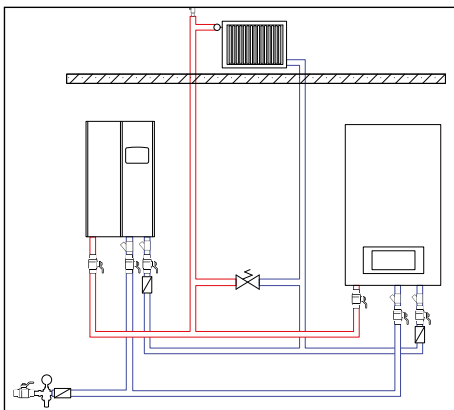


Electric boiler cascade wiring diagram.

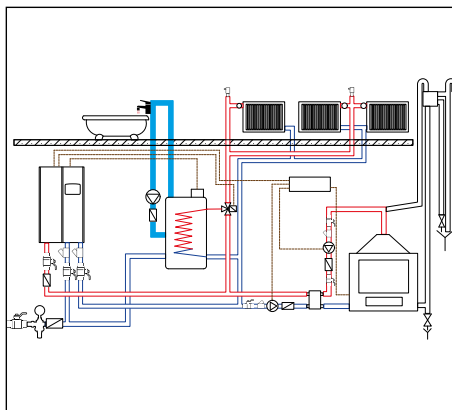


Electric boiler, solar powered boiler and radiator wiring diagram.

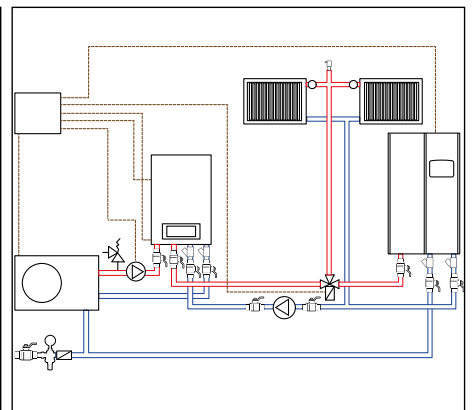
# PARALLEL CONNECTION WITH OTHER DEVICES



Electric combi boiler and gas combi boiler parallel connection diagram.



Connection diagram to electric boiler, boiler, radiator, water fireplace and similar devices.



Electric boiler and heat pump parallel connection diagram.