

 **Termoakim**[®]
heating systems

GALAXI MAXI

ELECTRIC BOILER



**MADE IN
TÜRKİYE**



HIGHLIGHTS FEATURES

- 99% efficient operation.
- Multifunctional graphic display.
- Easy to use keypad.
- Troubleshooting and controls on the screen.
- Programming 5 different time clocks during the day.
- Ability to determine different operating temperatures for each program.
- Gradual capacity selection with microprocessor providing 25% economy.
- Circulation pump control modulation according to need, providing 7% economy.
- Rating modulation of DHW and radiator temperature separately, saving 12%.
- Specially designed chrome resistances.
- Underfloor heating compatible.
- Room thermostat output.
- Limit thermostat against overheating.
- Pump blockage protection.
- Frost protection.
- Automatic air-vent.
- Safety system against running without water.
- Protection against the high pressure with 3 bar safety valve.
- *** Specially developed for use in industrial areas such as factories, apartments, villas, hotels, etc.**

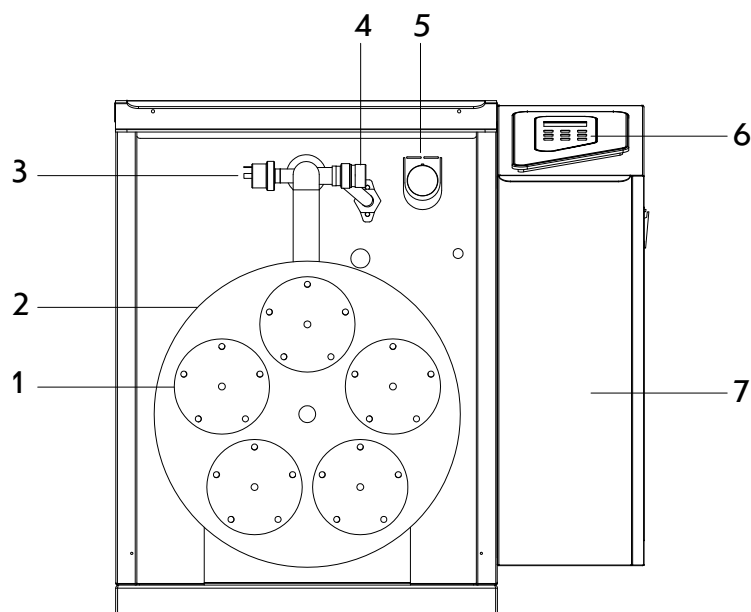
CONTROL PANEL and KEY FUNCTIONS



	Boiler Mode Button.
	Winter Mode Button.
	Menu Button.
	Selection and Confirmation Button.
	ESC Button.
	Timer Feature Enable/Disable Button.
	Up and Increased Button.
	Down and Decreased Button.
	Device Standby / Activation Button.

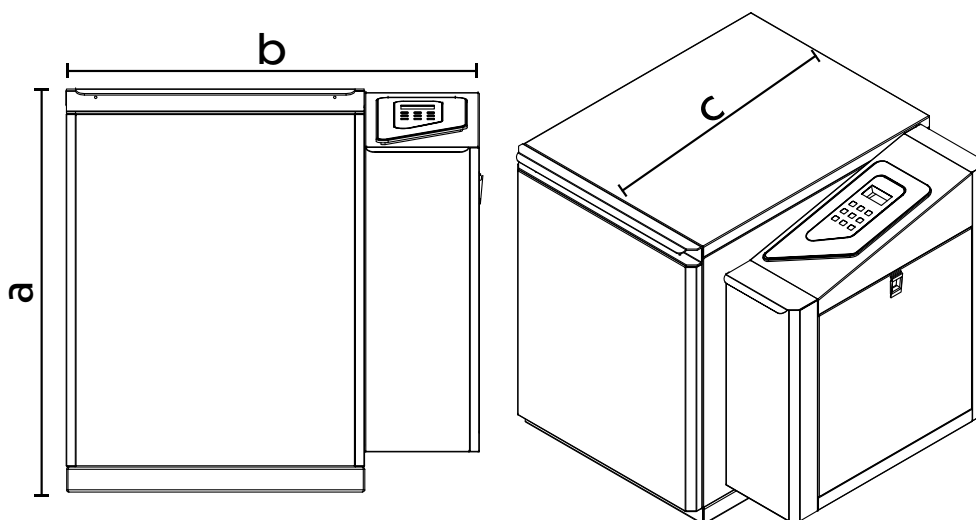


PARTS OF THE DEVICE



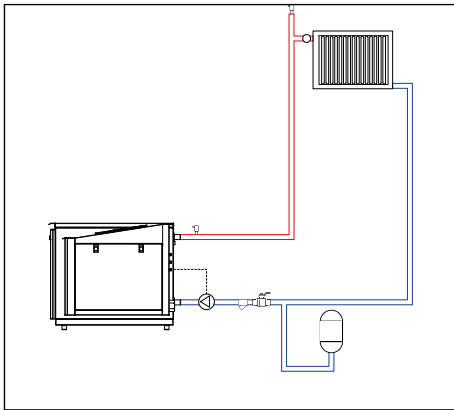
1. Heating Elements
2. Boiler Body
3. Low Pressure Sensor (Water Kit)
4. 3 Bar Safety Valve
5. Manometer
6. Control Panel
7. Power Distribution Board

DIMENSIONS and TECHNICAL SPECIFICATIONS

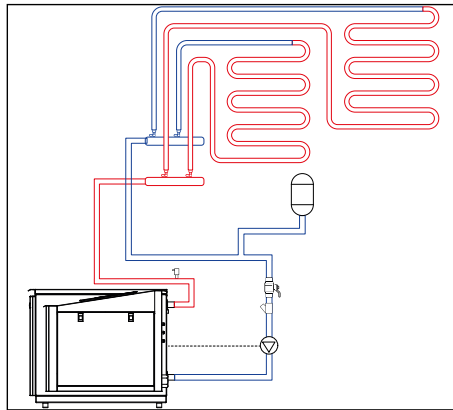


FEATURES	MAXI-40	MAXI-50	MAXI-60	MAXI-70	MAXI-80	MAXI-100	MAXI-120	MAXI-130	MAXI-150	MAXI-170	MAXI-200	MAXI-250
Power (kW)	40	50	60	70	80	100	120	130	150	170	200	250
Electrical Connection (V-50 Hz)	400/50											
Capacity (kcal/h)	34.400	43.000	51.600	60.200	68.800	86.000	103.200	111.800	129.000	146.200	172.000	215.000
Amper (A)	60	76	90	106	121	151	182	197	227	257	303	378
Recommended Fuse (A)	63	80	100	125	125	160	200	200	250	300	300	400
Device Connection Cable (mm ²)	5X16	5X25	5X25	5X25	5X35	5X50	5X50	5X50	5X70	5X70	5X95	5x120
Operating Pressure (bar)	2											
Boiler Temperature Range (°C)	40-75											
Radiator Flow Diameter (inch)	1						1 1/2			2		
Device Size axbxc (mm)	700x690x820						980x890x820					
Packaged Device Size axbxc (mm)	920x790x910						1190x1000x920					
Weight (kg)	68	71	72	73	74	76	78	79	123	128	132	139
Packaged Weight (kg)	104	107	108	109	110	112	114	115	160	165	169	176

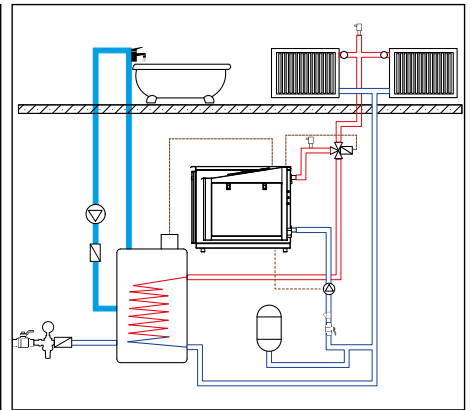
INSTALLATION DIAGRAMS



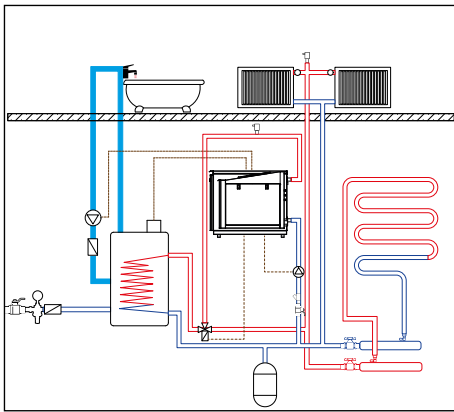
Electric boiler, radiator wiring diagram.



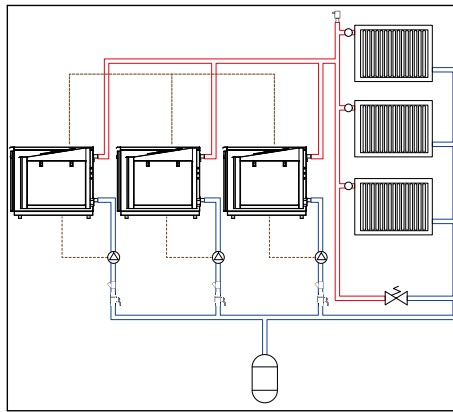
Electric combi underfloor heating wiring diagram.



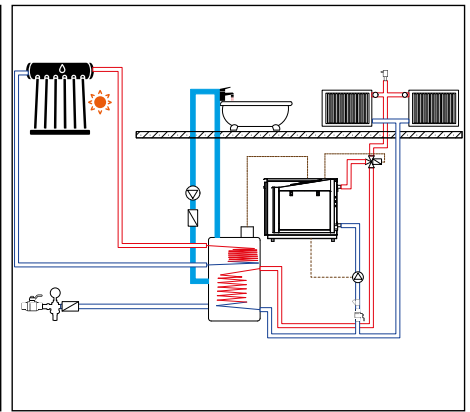
Electric boiler, boiler and radiator connection diagram.



Electric boiler, boiler, radiator, floor heating wiring diagram.

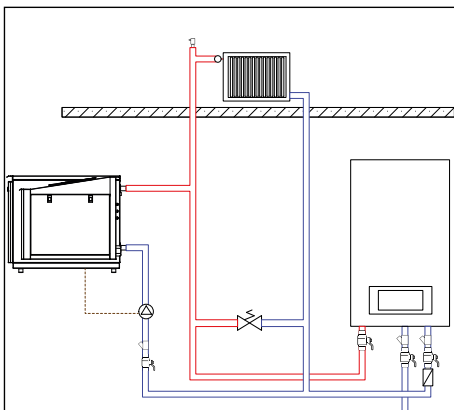


Electric boiler cascade wiring diagram.

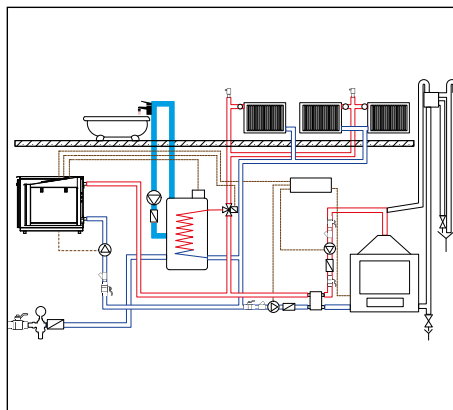


Electric boiler, solar powered boiler and radiator wiring diagram.

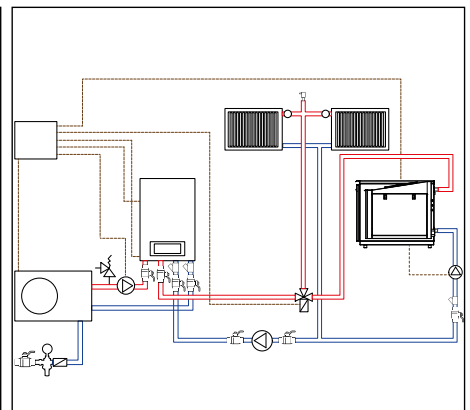
PARALLEL CONNECTION WITH OTHER DEVICES



Electric combi boiler and gas combi boiler parallel connection diagram.



Connection diagram to electric boiler, boiler, radiator, water fireplace and similar devices.



Electric boiler and heat pump parallel connection diagram.